



Emergency Phones

SP01 Weatherproof phone

The Weatherproof phone will be designed to work on Railway, metro, tunnel, etc. Housed in robust aluminium die case with spring loaded door, it will offer protection against the outdoor environment, **vandals resistance and rot resistance**.

The unit will meet all the latest European/UK standards for EMC and US FCC, telephony, **waterproofing IP67**, and lightning protection together with offering the level of performance and reliability demanded in such an environment.

- **DTMF**(Dual Tone Multi Frequency)
- Matching with most PABX,PBX and PAX systems

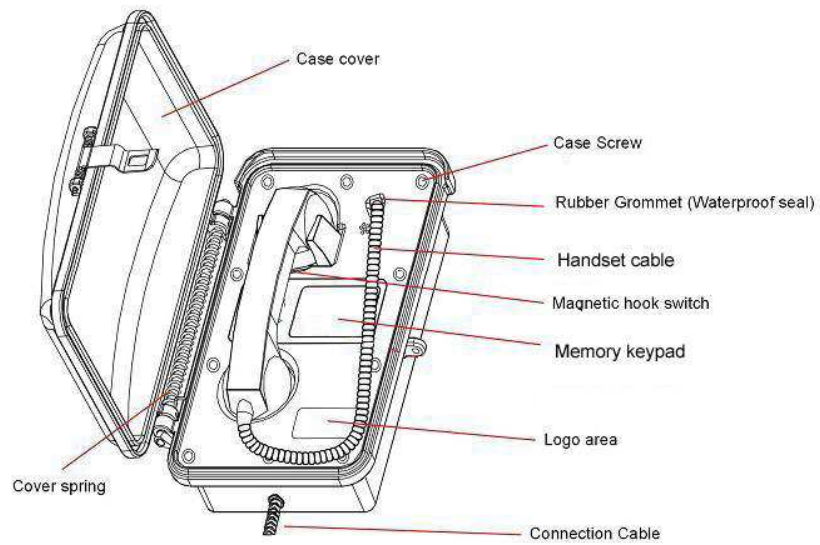


1. Product general description

1.1 Main Product features

1. Robust aluminium alloy die-cast body,
2. Full keypad with memory, 10 button programmable speed-dial telephone, Illuminated button optional.
3. Door cover: orient automatically and good self - closing, convenient for use.
4. Weather resistant to **IP67** standard, service temperature range from:-30°C to +75°C
5. Magnetic reed hook-switch
6. Telephone line powered. No external power or battery back up required.
7. Lightning protection to ITU-T recommendation K.21
8. Handset: made of special engineering plastic, high anti-knock resistance, Weatherproof, armoured cable optional,
9. Hearing Aid compatible receiver, Noise canceling microphone.
10. Handset integrity wiring to enable the telephone system to check if the telephone unit is still operational.
11. Selectable 7 minute time out, to release the line if the handset is left off hook.
12. Vandal resistant and tamper-resistant hardware,
13. Easy installation/ replacement

1.2 Telephone layout

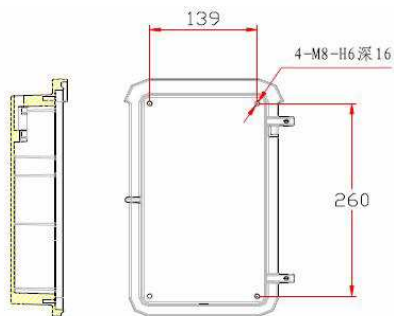


1.3 Construction

1.3.1 Connection cable

Stainless steel connection cable to exchange. Well treated keep waterproof.

1.3.2 Mounting bracket



1.3.3 Handset

- Kirk electro dynamic transducer for both handset transmitter and receiver
- Spring cable or armoured cable to attach the handset to the telephone main unit
- Stainless steel cable to connect exchange.
- Inductive coupler fitted for hearing aid compatibility.
- Handset integrity wiring to enable exchange to check if the phone is still operational.

1.4 ELECTRONIC

1.4.1 Main PCB

- ◆ Well treated PCB used inside the phone.
- ◆ Robust screw terminals used for the connection of ringer, handset, line in, hookswitch.
- ◆ Selectable 7 minute time out, to release the line if the handset is left off hook.
- ◆ All connectors be greased in production.

1.5 TECHNICAL SPECIFICATION

1、Applicable for various types of SPC exchange and dispatching exchange system with feeding voltage of 48-60V.

2、Ambient temperature:-30°C~60°C Relative humidity:10%~95%

Atmospheric pressure: 86~106Kpa Circumstance noise:≤ 60dB (A)

3、Sound level of ringing: ≥70dB (A) .

4、Standard frequency: low frequency group: 697、770、852、941Hz,

high frequency group: 1209、1336、1477Hz, frequency deviation: ≤±1.5%

If service line is a 3Km signal—level:

Standard frequency: low frequency group: -9dB±3dB, high frequency group: -7dB±3dB, level

difference between low and high frequency of compound signal: 2±1dB, the total distortion caused by intermodulation of harmonic wave is lower than the basic level by at least 20dB.

5、Call transmission index: (5KM)SLR≤12,RLR≤-1,STMR≥10, output impedance is 600Ω.

6、Super strong function is available for dialing 12 groups of numbers stored in thememory (maximum length of each store number is16 digits)

1.6 Certification:

EMC:

- EN55022:2006 emissions
- EN55024:1998 + A1:2001 immunity

Transients/Lightning

- ITU-T recommendations K.21 (07/2003)

Ingress Protection:

- GB4208-93 IP67

FCC

CE

FC

IP67

RoHS
欧盟绿色认证



1pcs in each inner CTN box, size: 43.3 x 27.6 x 19.1 G.W: 6.6kg

4pcs in outer CTN box, size: 56.6 x 44.5 x 42 G.W: 17kg

20GP: 1000PCS

40GP: 2000PCS

40HQ: 2200PCS

Auto-dial Water proof telephone

Model: SP-03

PHOTO:

Auto-dial to Service center when pick up handset

Waterproof grade: IP 66

Call capability of phone: GB/T 15279-94

Application scope: metro, light railroad, speedway, ship, mine, etc.

External configuration specification:

External dimension: 320×205×120mm Weight: 5.5Kg

Installment dimension: 139×260mm M8 bolt is used to install

Main features of product:

- 1、 Cabinet: aluminum alloy die—casting, high anti-violent, able to glisten, convenient for looking for (optional).
- 2、 Door cover: orient automatically and good self—closing, convenient for use.
- 3、 Handset: made of special engineering plastic, high anti-knock resistance、 high tensile strength resistance and high anti-violent.
- 4、 All of the components including handset telephone receiver and transmitter, buzzer, circuit board and cabinet are designed to be multi—layer waterproof and dust—proof which is up to Class III grade. The whole machine is up to national standard GB4208-93 IP 66.
- 5、 Phone is provided with high stability, high anti-jamming capability, and it is up to national standard GB/T15279-94.

SPECIFICATION:

- 1、 Applicable for various types of SPC exchange and dispatching exchange system with feeding voltage

of 48-60V.

2、Ambient temperature:-30°C~60°C Relative humidity:10%~95%

Atmospheric pressure: 86~106Kpa Circumstance noise:≤ 60dB (A)

3、Sound level of ringing: ≥70dB (A) .

4、Standard frequency: low frequency group: 697、770、852、941Hz,

high frequency group: 1209、1336、1477Hz, frequency deviation: ≤±1.5%

If service line is a 3Km signal—level:

Standard frequency: low frequency group: -9dB±3dB, high frequency group: -7dB±3dB, level difference between low and high frequency of compound signal: 2±1dB, the total distortion caused by intermodulation of harmonic wave is lower than the basic level by at least 20dB.

5、Call transmission index: (5KM)SLR≤12,RLR≤-1,STMR≥10, output impedance is 600Ω.

6、Super strong function is available for dialing 12 groups of numbers stored in thememory (maximum length of each number is16 digits)

The Weatherproof phone will be designed to work on Railway, metro, tunnel, etc. Housed in robust aluminium alloy die-cast to against rust and corrosion, it will offer protection against the outdoor environmental extremes and vandals. **Rot resistance**

- The unit will meet all the latest European/UK standards for EMC and US FCC, telephony **waterproofing IP67**, and lightening protection together with offering the level of performance and reliability demanded in such an environment.
- **DTMF**(Dual Tone Multi Frequency)
- Matching with most PABX,PBX and PAX systems.

SP09

The Weatherproof phone will be designed to work on Railway, metro, tunnel, etc. Housed in robust aluminium alloy die-cast to against rust and corrosion, it will offer protection against the outdoor environmental extremes and vandals. **Rot resistance**

- The unit will meet all the latest European/UK standards for EMC and US FCC, telephony **waterproofing IP67**, and lightening protection together with offering the level of performance and reliability demanded in such an environment.
- **DTMF**(Dual Tone Multi Frequency)
- Matching with most PABX,PBX and PAX systems.

1. Product general description

1.1Main Product features

1. Robust aluminium alloy die-cast body,
2. Full keypad withmemory, 10 button programmable speed-dial telephone, Illuminated button optional.

With 1 red button with memory for emergency call, optional

Or without any keypad or button for auto-dial as soon as you pick up the handset.

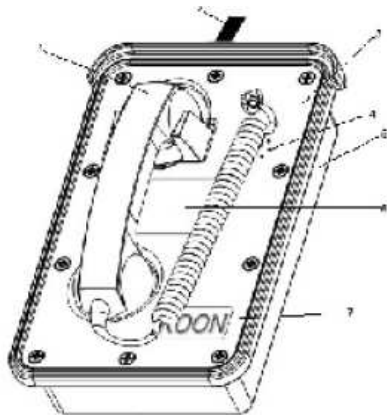
3. Weather resistant to **IP67** standard, service temperature range from:-30°C to +75°C
4. Magnetic reed hook-switch
5. Telephone line powered. No external power or battery back up required.
6. Lightening protection to ITU-T recommendation K.21
7. Handset: made of special engineering plastic, high anti-knock resistance, Weatherproof, armoured cable optional,
8. Hearing Aid compatible receiver, Noise canceling microphone.
9. Handset integrity wiring to enable the telephone system to check if the telephone unit is still operational.
10. Selectable 7 minute time out, to release the line if the handset is left off hook.
11. Vandal resistant and tamper-resistant hardware,
12. Easy installation/ replacement

1.2 Telephone layout

1.3 Construction

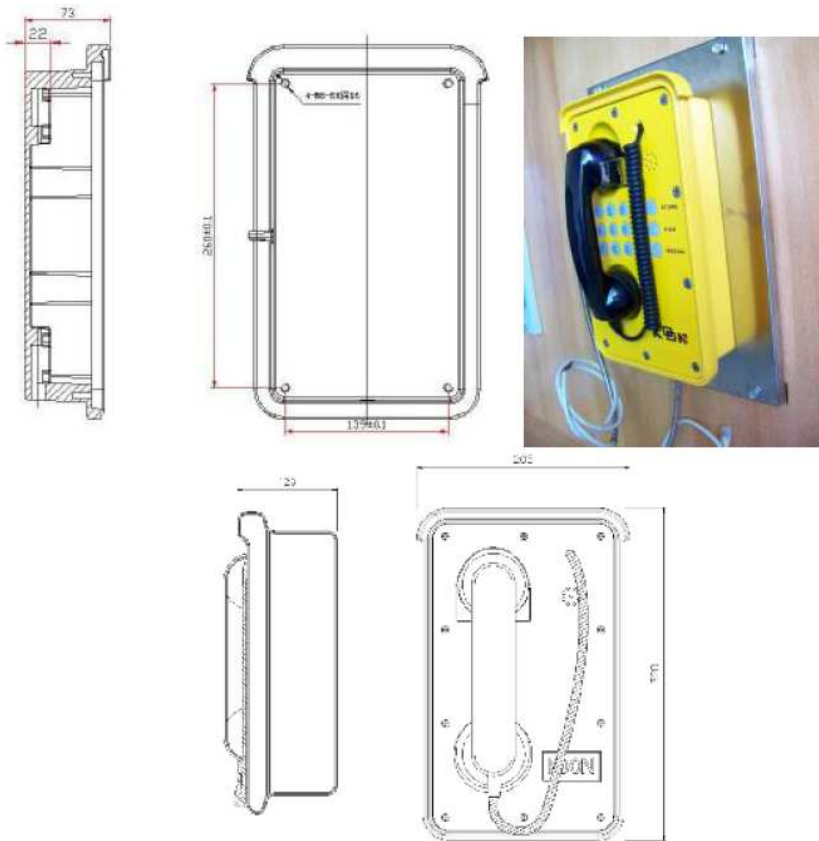
1.3.1 Connection cable

Stainless steel connection cable to exchange. Well treated keep waterproof.



1. Handset
2. Line-in cable
3. Panel
4. Buzzer
5. Rear case
6. Keypad area
7. Logo area

1.3.2 Mounting bracket



1.3.3 Handset

- Kirk electro dynamic transducer for both handset transmitter and receiver
- Spring cable or armoured cable to attach the handset to the telephone main unit
- Stainless steel cable to connect exchange.
- Inductive coupler fitted for hearing aid compatibility.
- Handset integrity wiring to enable exchange to check if the phone is still operational.

1.4 ELECTRONIC

1.4.1 Main PCB

- ◆ Well treated PCB used inside the phone.
- ◆ Robust screw terminals used for the connection of ringer, handset, line in, hookswitch.
- ◆ Selectable 7 minute time out, to release the line if the handset is left off hook.
- ◆ All connectors be greased in production.

1.5 TECHNICAL SPECIFICATION

- 1、Applicable for various types of SPC exchange and dispatching exchange system with feeding voltage of 48-60V.
- 2、Ambient temperature:-30°C~60°C Relative humidity:10%~95%
Atmospheric pressure: 86~106Kpa Circumstance noise:≤ 60dB (A)
- 3、Sound level of ringing: ≥70dB (A) .
- 4、Standard frequency: low frequency group: 697、770、852、941Hz,

high frequency group: 1209、1336、1477Hz, frequency deviation: $\leq \pm 1.5\%$

If service line is a 3Km signal—level:

Standard frequency: low frequency group: $-9\text{dB} \pm 3\text{dB}$, high frequency group: $-7\text{dB} \pm 3\text{dB}$, level difference between low and high frequency of compound signal: $2 \pm 1\text{dB}$, the total distortion caused by intermodulation of harmonic wave is lower than the basic level by at least 20dB.

5、Call transmission index: (5KM)SLR \leq 12,RLR \leq -1,STMR \geq 10, output impedance is 600 Ω .

6、Super strong function is available for dialing 12 groups of numbers stored in thememory (maximum length of each store number is16 digits)

1.6 Certification:

EMC:

- EN55022:2006 emissions
- EN55024:1998 + A1:2001 immunity

Transients/Lightning

- ITU-T recommendations K.21 (07/2003)

Ingress Protection:

- GB4208-93 IP66 FCC



1.7 Packing

1pcs in each inner CTN box, size: 43.3 x 27.6 x 19.1 G.W: 6.6kg

4pcs in outer CTN box, size: 56.6 x 44.5 x 42 G.W: 17kg

20GP: 1000PCS

40GP: 2000PCS

40HQ:2200PCS

AIT Advanced Information Technology Co.,Ltd

Add: Rm. 2104C, 21/F Admiralty Centre Tower 1, 18 Harcourt Rd., Hong Kong

Tel: (852)399 22 390, 9289 9893

E-mail: sales@aitcl.com

www.aitcl.com